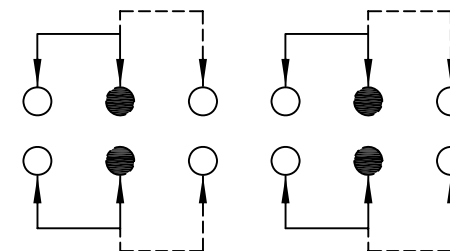
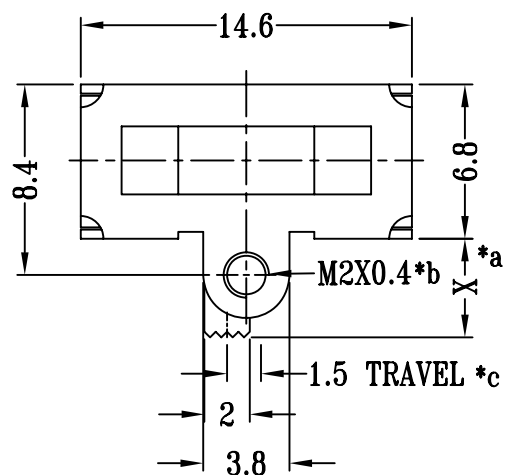
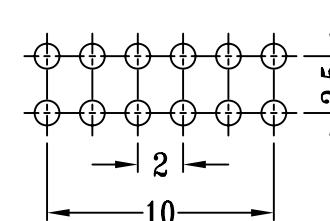
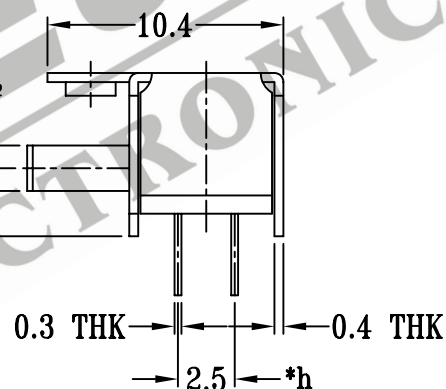
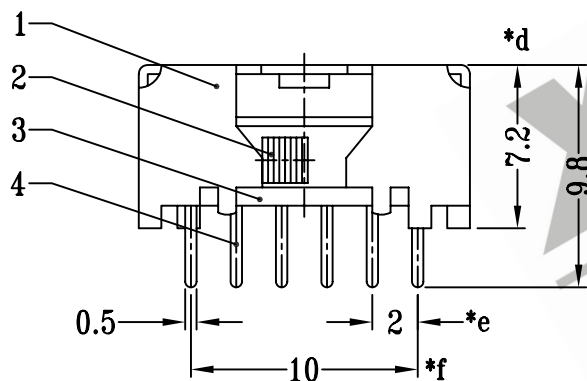


CAD FILE:



**SCHEMATIC (SHORTING)**



**P.C.B LAYOUT**

注：“\*”表示关键尺寸（8个）

|     |              |                 |      |                          | TOLERANCE UNLESS SPECIFIED              |  | SHENZHEN XIEJIA ELECTRONICS CO.,LTD. |      |                                 |       |           |            |
|-----|--------------|-----------------|------|--------------------------|---|--|--------------------------------------|------|---------------------------------|-------|-----------|------------|
|     |              |                 |      |                          | WITHIN: 1.5±0.1mm                       |  | ISSUE                                | DATE | DESCRIPTIONS                    |       | APPD.     |            |
|     |              |                 |      |                          | OVER : 1.5±0.2mm                        |  |                                      |      | TITLE : HORIZONTAL SLIDE SWITCH |       |           | UNIT : MM  |
| 8   |              |                 |      |                          |   |  |                                      |      | DRWG NO.: XJ-DR-SK42C17-00      |       |           |            |
| 7   |              |                 |      |                          |   |  |                                      |      | SCALE: 3:1                      | DWN.  | ZHOUYU    | 2001-11-26 |
| 6   | SPRING PLATE | STAINLESS STEEL | 1    | NATURAL                  |   |  |                                      |      |                                 | CHK'D | FANGYING  | 2001-11-26 |
| 5   | CONTACT CLIP | PBS             | 4    | Ag CLAD                  |   |  |                                      |      |                                 | APPD. | KANGXINAN | 2001-11-26 |
| 4   | TERMINAL     | BRASS STRIP     | 12   | Ag PLATED OVER Ni PLATED |   |  |                                      |      |                                 |       |           |            |
| 3   | BASE         | PHENOLIC RESIN  | 1    | NATURAL                  |   |  |                                      |      |                                 |       |           |            |
| 2   | KNOB         | POM             | 1    | BLACK                    |   |  |                                      |      |                                 |       |           |            |
| 1   | FRAME        | STEEL STRIP     | 1    | Ni PLATED                |   |  |                                      |      |                                 |       |           |            |
| NO. | PART NAME    | MATERIAL        | Q'TY | FINISHING                | ALL MATERIALS MUST BE COMPLIANT TO ROHS |  |                                      |      |                                 |       |           |            |